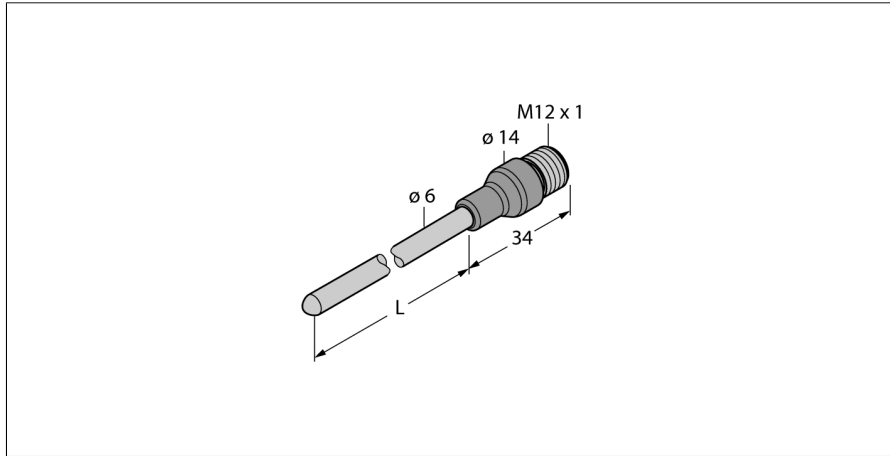


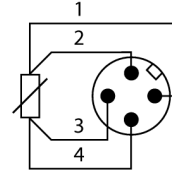
Temperature measurement

TP-206B-CF-H1141-L300/D805



■ 4-wire connection technology

Wiring Diagram



General description

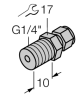
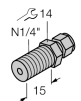
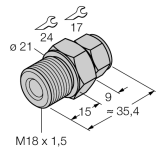
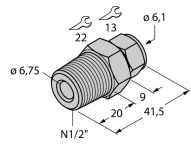
Resistance thermometers are used for the detection and monitoring of temperatures to optimize and control a process.

Typical applications are in machine and plant construction as well as in the process industry.

The core element of the temperature sensor is a temperature-dependent resistor.

Type code	TP-206B-CF-H1141-L300/D805
Ident-No.	9910747
Temperature range	-200...500 °C
Temperature operating range	-328...932°F
Measuring element	Pt-100 probe, DIN EN 60751, class B
Accuracy	0.3 °C + 0.005 · t (-50 ... 500 °C)
Immersion depth (L)	300 mm
MTTF	2283 years acc. to SN 29500 (Ed. 99) 40 °C
Ambient conditions	
Ambient temperature	-40...+120 °C
Storage temperature	-40...+85 °C
Connection	flange connector
Reference conditions acc. to IEC 61298-1	
Temperature	15...25 °C
Atmospheric pressure	860...1060 hPa abs.
Humidity	45...75 % rel.
Auxiliary power	24 VDC
MTTF	2283 years acc. to SN 29500 (Ed. 99) 40 °C

Accessories

Type code	Ident-No.	Description	Design
CF-M-6-G1/4-A4	9910483	Compression ferrule fittings for direct mounting of temperature probes	
CF-M-6-N1/4-A4	9910484	Compression ferrule fittings for direct mounting of temperature probes	
CF-M-6-M18-A4	9910525	Compression ferrule fittings for direct mounting of temperature probes	
CF-M-6-N1/2-A4	9910529	Compression ferrule fittings for direct mounting of temperature probes	
CF-M-6-G1/2-A4	9910530	Compression ferrule fittings for direct mounting of temperature probes	